

AR1 BLUE RAY

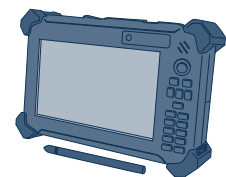
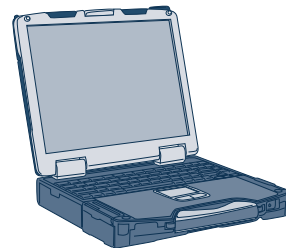
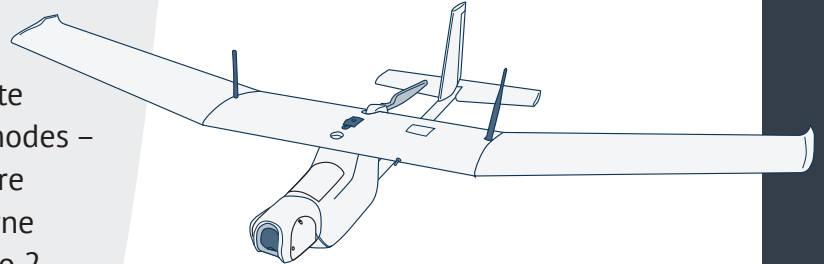


AR1 BLUE RAY



AR1 Blue Ray is a fixed-wing autonomous unmanned aerial system (UAS) that delivers advanced information, security, surveillance, monitoring and reconnaissance capabilities in the most challenging operational conditions.

With several operational modes – including remote control, semi-autonomous and full autonomous modes – and complemented with robust, reliable and secure communications, the **AR1 Blue Ray** ensures airborne superiority. Each aircraft has an endurance of up to 2 hours, a cruise speed of 55 km/h and in a mission radius of 20Km.



Length:	1.4m
Wingspan:	1.8m
MTOW:	5kg
Payload Weight:	1.5kg
Cruise speed:	55 km/h
Endurance:	2h, extensible to 3h
Guidance/tracking:	Remotely piloted or fully autonomous from take-off to recovery
Launcher:	Hand or catapult launched
Payload:	Primary payload offers multiple options, including 2 and 3-axis stabilized single or multi-sensor gimbals for EO/IR sensors; Secondary payload options include Communications Relay and SIGINT;
Range – mission radius:	20km
Recovery:	Parachute

<http://www.tekever.com> info@tekever.com

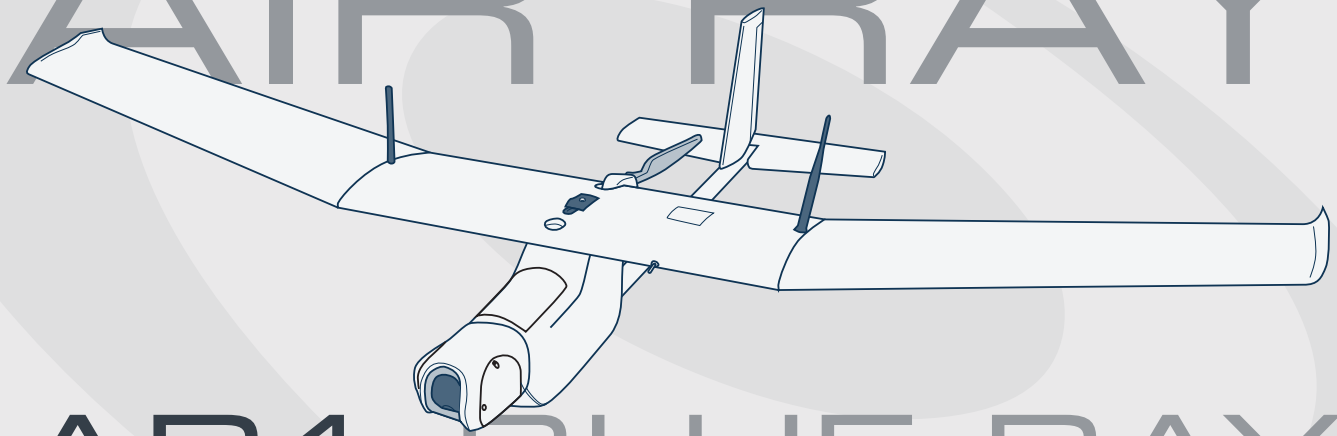


80 L Case holds AR1 Blue Ray UAS



Easily swappable Payloads

AIR RAY



AR1 BLUE RAY



Full UAS Setup



Deployment of the AR1 Blue Ray